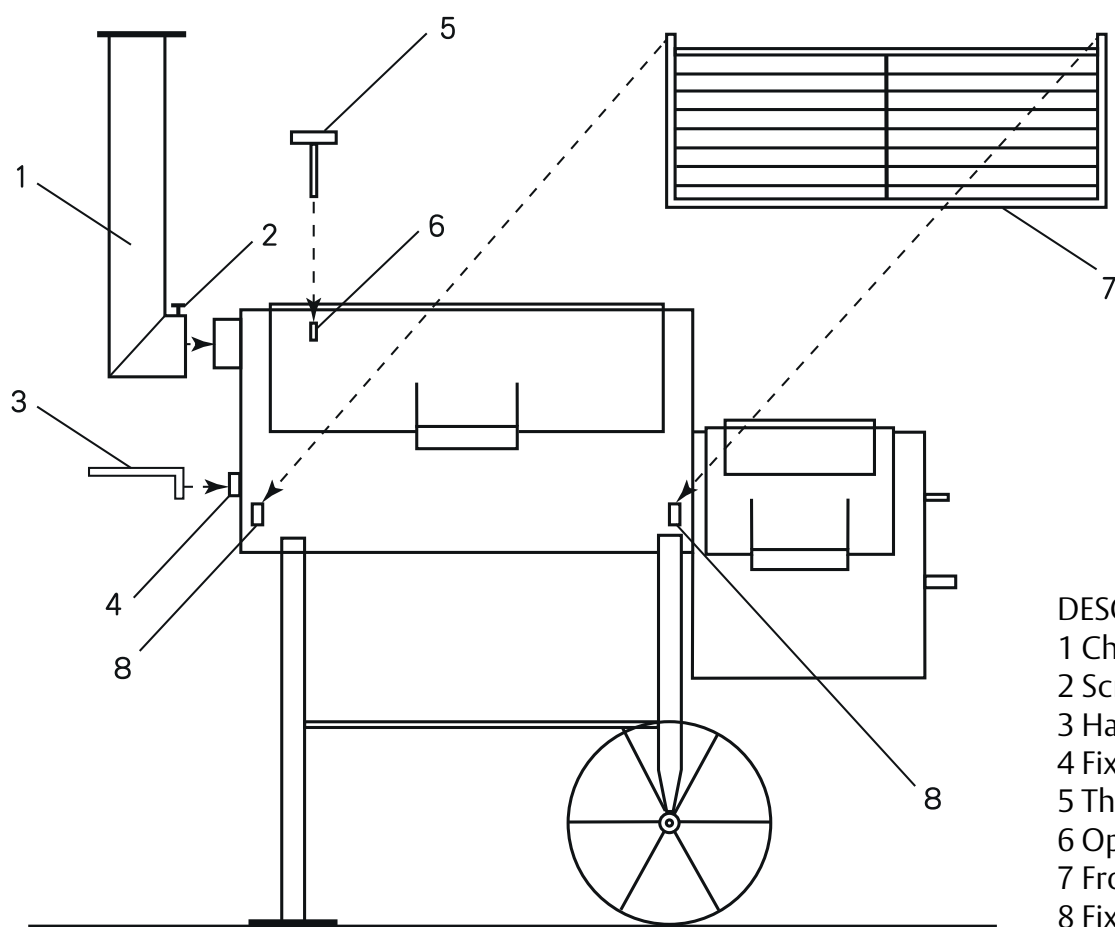


Assembly Instructions Smoky Fun



DESCRIPTION:

- 1 Chimney
- 2 Screw to fix the chimney
- 3 Handle
- 4 Fixture for the handle
- 5 Thermometer
- 6 Opening for the thermometer
- 7 Front grid
- 8 Fixture for the front grid

To assemble your Smoky Fun Grill is quite easy.

1. Put the chimney (1) on the pipe protruding from the side of the grilling chamber and fix it by tightening the screw M8 (2).
2. Attach the handle (3) to the fixture (4) on the corresponding side. The effort necessary to fix the handle does not constitute a defect; it ensures that the handle does not move when handling the grill.
3. Place the thermometer (5) into the corresponding opening (6) and fix it by tightening the screw.
4. Attach the front grid (7) to the fixture (8) on the front side of the grill.

Enjoy great time with your Smoky Fun Grill